

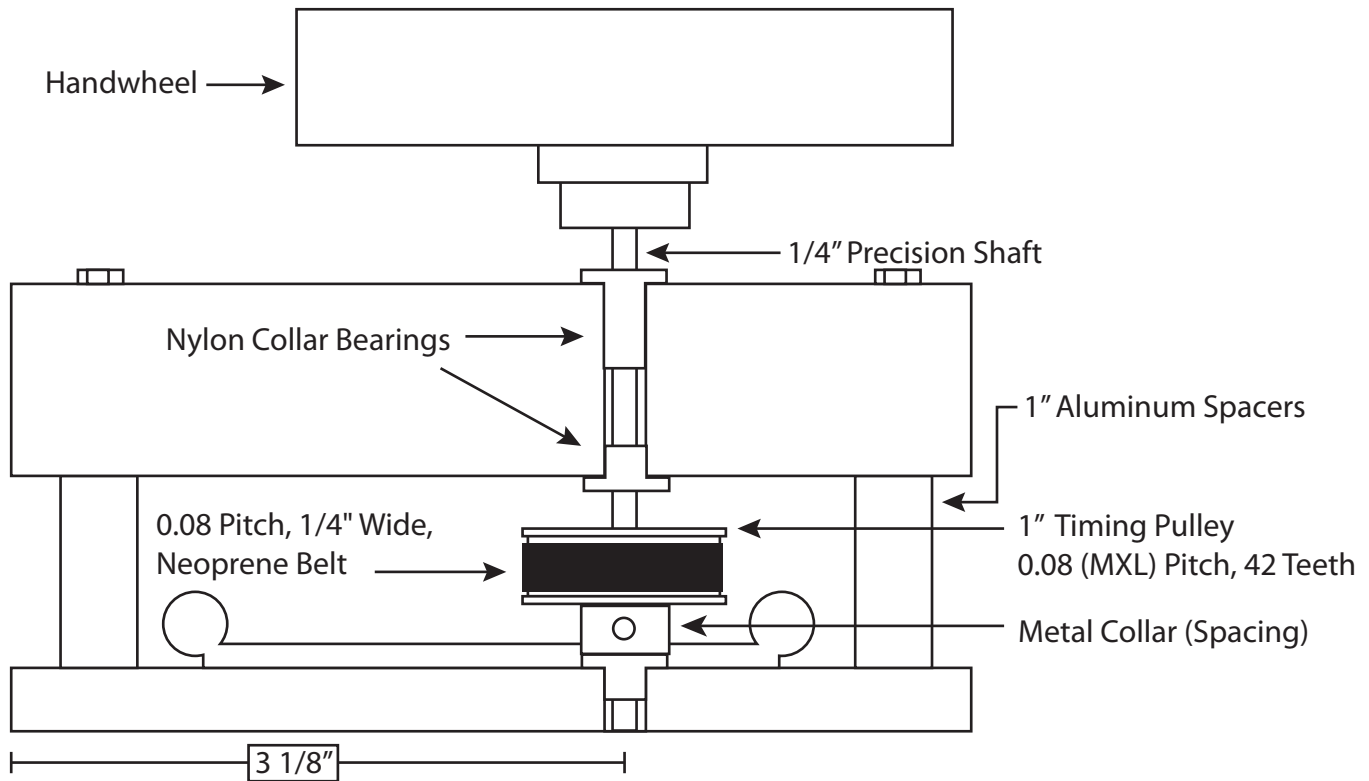
Mechanizing the IndiSlider

Design by John Hess

Drive Side (End View)

(Same as non drive side except for Handwheel)

Drawn Approximately to Scale



Carriage Sled (Top View)

(Top View)

